

ALEX-9.5W DIE-CAST ALUMINUM BODY DOWNLIGHT

TECHNICAL SHEET
KL-SP00094



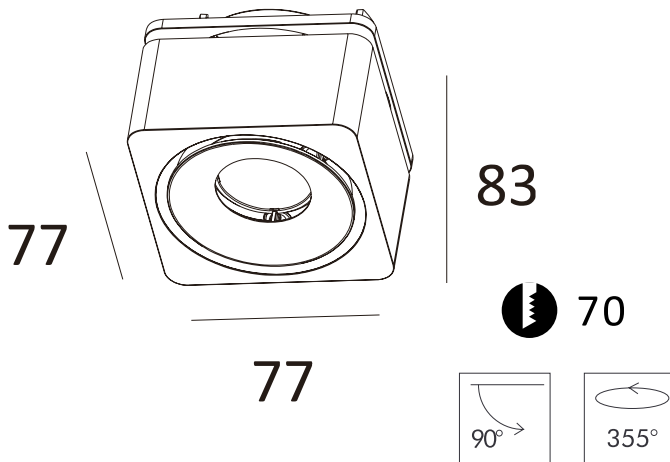
KEYLIGHT

SPAIN

PRODUCTOS DE ILUMINACION

FEATURES

- 220-240V
- CE ROHS Certified
- Die-cast Aluminum
- 3-years warranty



SPECIFICATIONS

Product Code	KL-SP00094
Power	9.5W
Input	220-240V
Color Temperature	3000K/4000K/6000K
LED Chip	CREE
Driver	PHILIPS
Luminous Flux	870 lm
Beam Angle	15°/24°/36°
CRI	80/90
Material	DIE-Cast-Aluminum
Body Color	Black/White
IP Rating	IP 20
Dimensions	77mm*77mm*83mm
Cut-out	70mm
Rotation	90° & 355°
Warranty	3 years